

Features

- : Low dark current and low capacitance
- : Data rate 2.5Gbps
- : FC fiber connectorized
- : Other Custom configurations available on request

Applications

- : High speed Data Communications
- : Gigabit Ethernet
- : Fiber Channel

Description

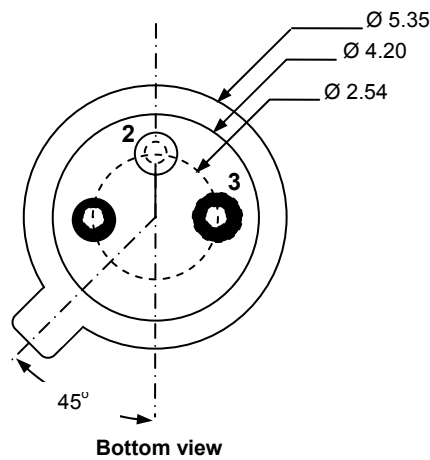


Absolute Maximum Ratings

Parameter	Rating
Forward Current	10 mA
Reverse Voltage	40 V
Operating Temperature	0 to 70 °C
Lead Solder Temperature	260 °C, 10 sec
Storage Temperature	-40 to 100 °C

Dimensions

Unit:mm



PINOUT

Number	Function
1	A _{PD}
2	K _{PD}
3	NC

Electro-Optics Characteristics (T_a=25°C unless otherwise stated)

Parameters	Symbol	Specified			Unit	Test Conditions
		Min.	Typ.	Max.		
Responsivity	R	0.45	0.55		A/W	V _R =5.0V, λ=850nm
Dark Current	I _D		0.1	1.0	nA	V _R =5.0V
Breakdown Voltage	V _B	40			V	I _R =1 μA
Capacitance	C		0.7	0.9	pF	V _R =5.0V, f=1MHz
Peak Wavelength	λ		850		nm	
Rise and Fall times	t _r /t _f		100/100		ps	V _R =5V, 20%~80%
Bandwidth	F _{-3dB}		4		GHz	V _R =5.0V

Notes

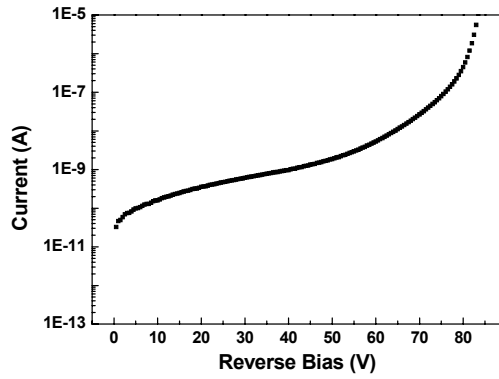
* These specifications are subject to change without notice

NOTICE

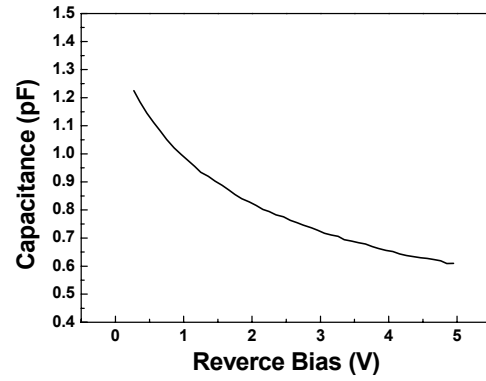
The inherent design of this component causes it to be sensitive to electrostatic discharge (ESD). To prevent ESD-induced damage and/or degradation to equipment, take normal ESD precautions when handling this product

Characteristics Curves

IV Curve



C-V Curve



Wavelength vs Responsivity

