

**Features**

- : Low dark current and low capacitance
- : Data rate 2.5Gbps
- : SC fiber connectorized
- : Other Custom configurations available on request

**Applications**

- : High speed Data Communications
- : Gigabit Ethernet
- : Fiber Channel

**Description**

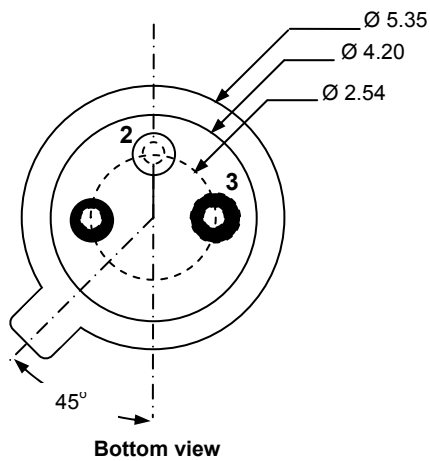
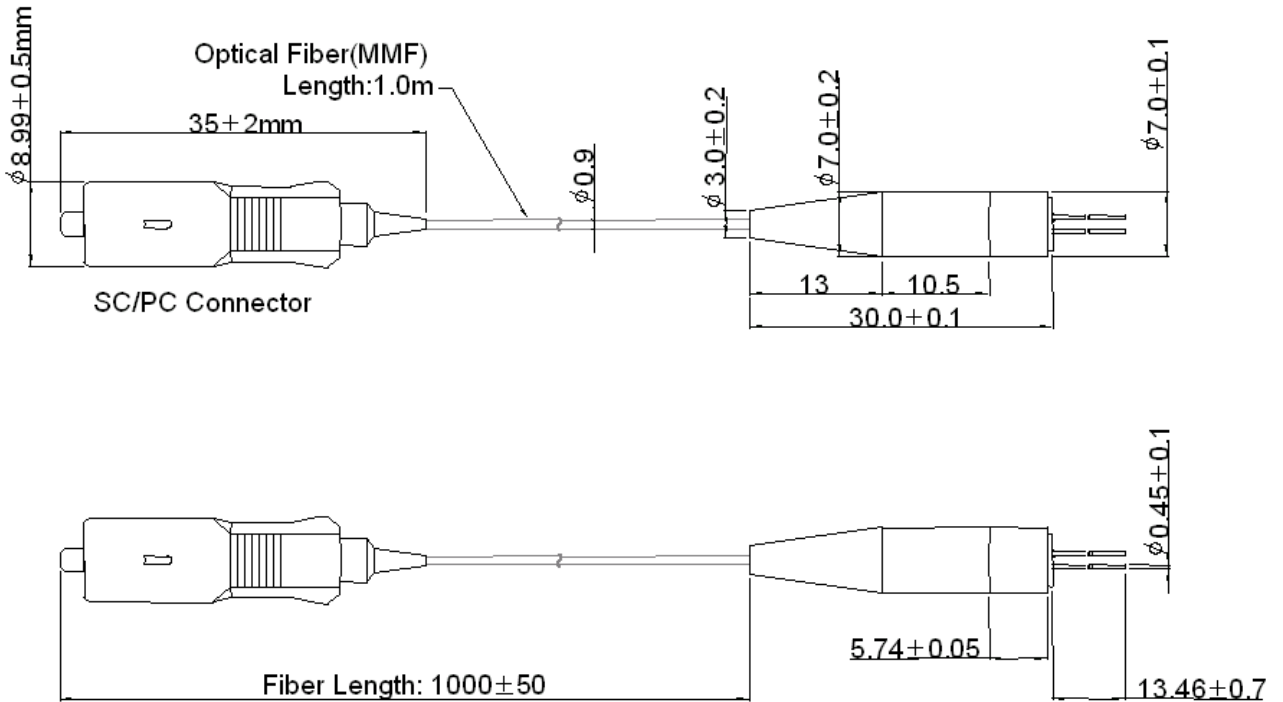


**Absolute Maximum Ratings**

Parameter	Rating
Forward Current	10 mA
Reverse Voltage	40 V
Operating Temperature	0 to 70 °C
Lead Solder Temperature	260 °C, 10 sec
Storage Temperature	-40 to 100 °C

Dimensions

Unit:mm



PINOUT

Number	Function
1	A <sub>PD</sub>
2	NC
3	K <sub>PD</sub>

**Electro-Optics Characteristics (T<sub>a</sub>=25°C unless otherwise stated)**

Parameters	Symbol	Specified			Unit	Test Conditions
		Min.	Typ.	Max.		
Responsivity	R	0.45	0.55		A/W	V <sub>R</sub> =5.0V, λ=850nm
Dark Current	I <sub>D</sub>		0.1	1.0	nA	V <sub>R</sub> =5.0V
Breakdown Voltage	V <sub>B</sub>	40			V	I <sub>R</sub> =1 μA
Capacitance	C		0.7	0.9	pF	V <sub>R</sub> =5.0V, f=1MHz
Peak Wavelength	λ		850		nm	
Rise and Fall times	t <sub>r</sub> /t <sub>f</sub>		100/100		ps	V <sub>R</sub> =5V, 20%~80%
Bandwidth	F <sub>-3dB</sub>		4		GHz	V <sub>R</sub> =5.0V

**Notes**

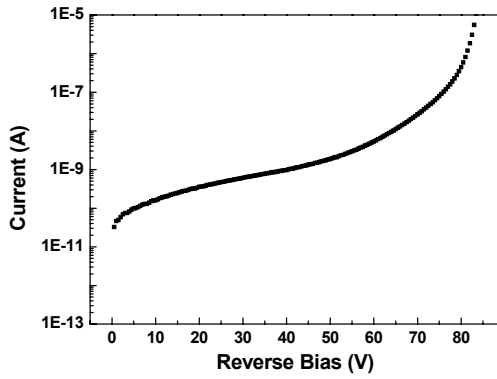
\* These specifications are subject to change without notice

**NOTICE**

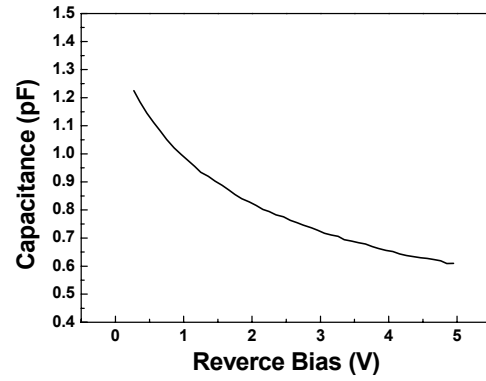
The inherent design of this component causes it to be sensitive to electrostatic discharge (ESD). To prevent ESD-induced damage and/or degradation to equipment, take normal ESD precautions when handling this product

Characteristics Curves

IV Curve



C-V Curve



Wavelength vs Responsivity

