

Features

- : 4.25Gbps data rate
- : Ball lens type TO-46 Can package
- : Packaged with preamplifier
- : Other configurations available on request

Applications

- : High speed Data Communications
- : Gigabit Ethernet
- : Fiber Channel

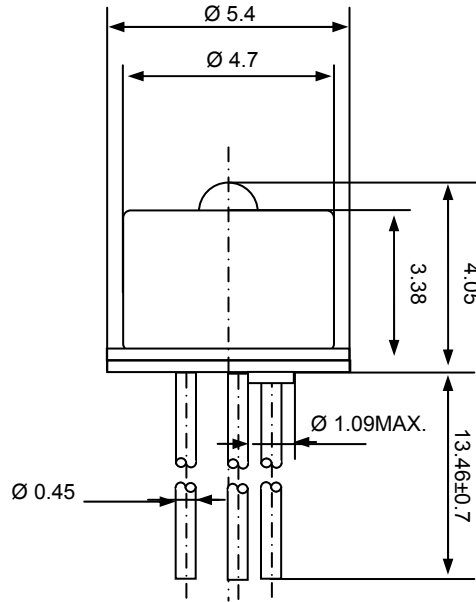
Description



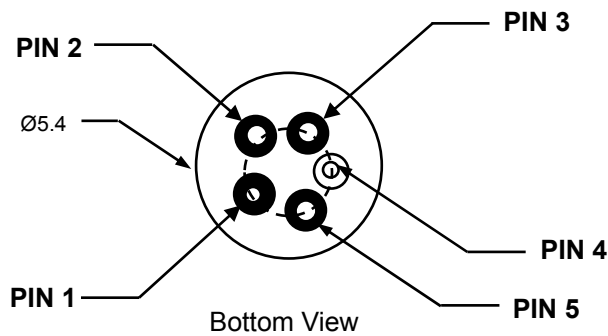
Absolute Maximum Ratings

Parameter	Rating
Storage Temperature	-40 to 100 °C
Operating Temperature	-40 to 85 °C
Lead Solder Temperature	260 °C, 10 sec
Power Supply Voltage	0 to 5.0 V
Incident Optical Power	0 dBm average, 4 dBm Peak

Dimensions



Unit:mm



PIN OUT

Number	Function
1	V _{CC}
2	RSSI
3	V _{OUT-}
4	GND
5	V _{OUT+}

To use the RSSI pin ;
Connect the pin2 to GND using
a resistor of less than 2K .

Electro-Optics Characteristics ($V_{CC}=3.3V$, $T_a=25^{\circ}C$ unless otherwise stated)

Parameters	Symbol	Specified			Unit	Test Conditions
		Min.	Typ.	Max.		
Sensitivity	S		-19		dBm	BER= 1×10^{-12} with 4.25Gbps optical input data of Re=9dB, $\lambda=850nm$
Optical Overload	P_{OL}	1.0			dBm	
Rise/Fall Time	t_R/t_F		100		ps	Optical input signal of $P_{ave}=-15dBm, \lambda=850nm$
Low Frequency Cutoff	$f_{h,-3dB}$			100	KHz	Optical input signal of $P_{ave}=-15dBm, \lambda=850nm$, referenced to 1MHz
3dB Bandwidth	$f_{h,-3dB}$	2		4	GHz	Optical input signal of $P_{ave}=-15dBm, \lambda=850nm$, referenced to 50MHz
Output Resistance	R_o		50		Ω	Single-ended
Differential Saturated Output Swing	$V_{o, Sat}$	180	300	500	mVpp	
Output Resistance	R_o		50		Ω	Single-ended
Supply Voltage	V_{CC}	2.9	3.3	3.6	V	
Supply Current	I_{CC}		30	45	mA	

Notes

* These specifications are subject to change without notice

NOTICE

The inherent design of this component causes it to be sensitive to electrostatic discharge(ESD). To prevent ESD-induced damage and/or degradation to equipment, take normal ESD precautions when handling this product