

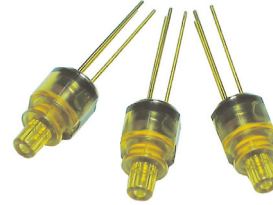
Features

- : Low dark current and low capacitance
- : Data rate 2.5Gbps
- : High reliability
- : Custom configurations available

Applications

- : High speed Data Communications
- : Gigabit Ethernet
- : Fiber Channel

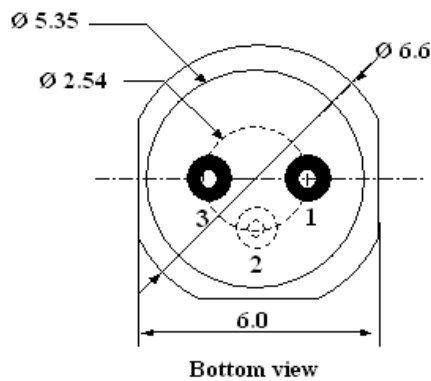
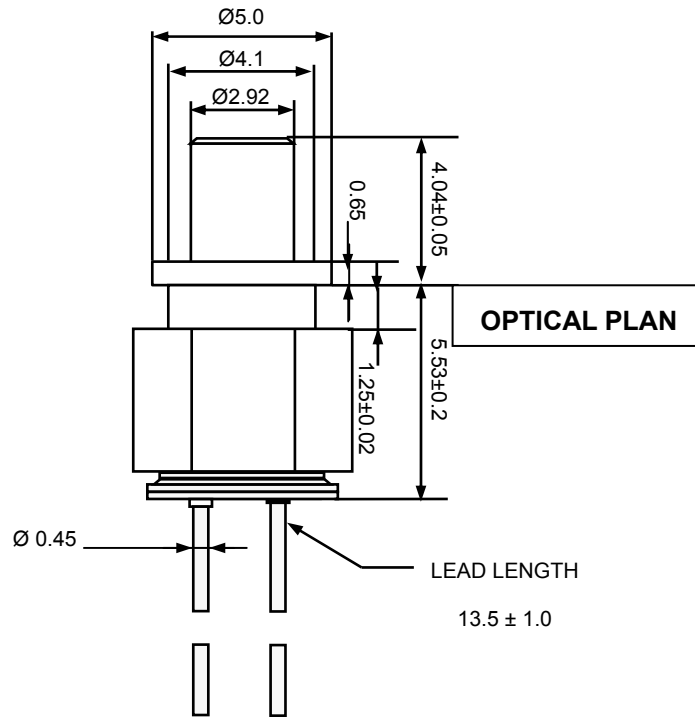
Description



Absolute Maximum Ratings (Tc=25°C)

Parameter	Rating
Forward Current	10 mA
Reverse Voltage	40 V
Operating Temperature	-40 to 85 °C
Lead Solder Temperature	260 °C, 10 sec
Storage Temperature	-40 to +100 °C

Dimensions



Unit : mm

PINOUT

Number	Function
1	A _{PD}
2	NC
3	K _{PD}

Electro-Optics Characteristics (T_a=25°C unless otherwise stated)

Parameters	Symbol	Specified			Unit	Test Conditions
		Min.	Typ.	Max.		
Responsivity	R	0.45	0.55		A/W	V _R =5.0V, λ=850nm
Dark Current	I _D		0.1	1.0	nA	V _R =5.0V
Breakdown Voltage	V _B	40			V	I _R =1 μA
Capacitance	C		0.7	0.9	pF	V _R =5.0V, f=1MHz
Peak Wavelength	λ		850		nm	
Rise and Fall times	t _r /t _f		100/100		ps	V _R =5V, 20% ~80%
Bandwidth	F _{-3dB}		4		GHz	V _R =5.0V

Notes

* These specifications are subject to change without notice

NOTICE

The inherent design of this component causes it to be sensitive to electrostatic discharge(ESD). To prevent ESD-induced damage and/or degradation to equipment, take normal ESD precautions when handling this product